



EVERLIGHT ELECTRONICS CO.,LTD.

Device Number : CDLE-026-018 REV.: 2

3.0mm Round Type LED Lamps

PART NO. : 264-7ID

ECN: _____ Page: 1/4

■ Features :

- Choice of various viewing angles
- Available on tape and reel.
- Reliable and robust

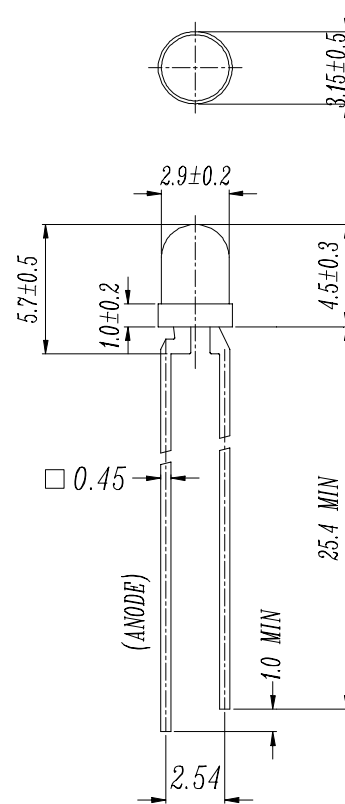
■ Descriptions :

- The series is specially designed for applications requiring higher brightness
- The led lamps are available with different colors, intensities,

■ Applications :

- TV set
- Monitor
- Telephone
- Computer

■ Package Dimensions:



■ Notes :

1. All dimensions are in millimeters.
2. An epoxy meniscus may extend about 1.5mm(0.059") down to the lead.
3. Tolerances unless Dimension ± 0.25 mm.

PART NO.	Chip		Lens Color
	Material	Emitted Color	
264-7ID	GaAsP/GaP	Hi-Eff Red	Red Diffused

Office : 7C Building, Lian Hua Port Industrial District, Lian Hua Shan
 Bonded Processing Zone Pan Yu, Guang Zhou, China

TEL. : (020)84860913,84860914

FAX : (020)84860600

http : //www.everlight.com



EVERLIGHT ELECTRONICS CO.,LTD.

Device Number : CDLE-026-018 REV.: 2

3.0mm Round Type LED Lamps

PART NO. : 264-7ID

ECN : _____ Page: 3/4

■ Typical Electro-Optical Characteristic Curves:

