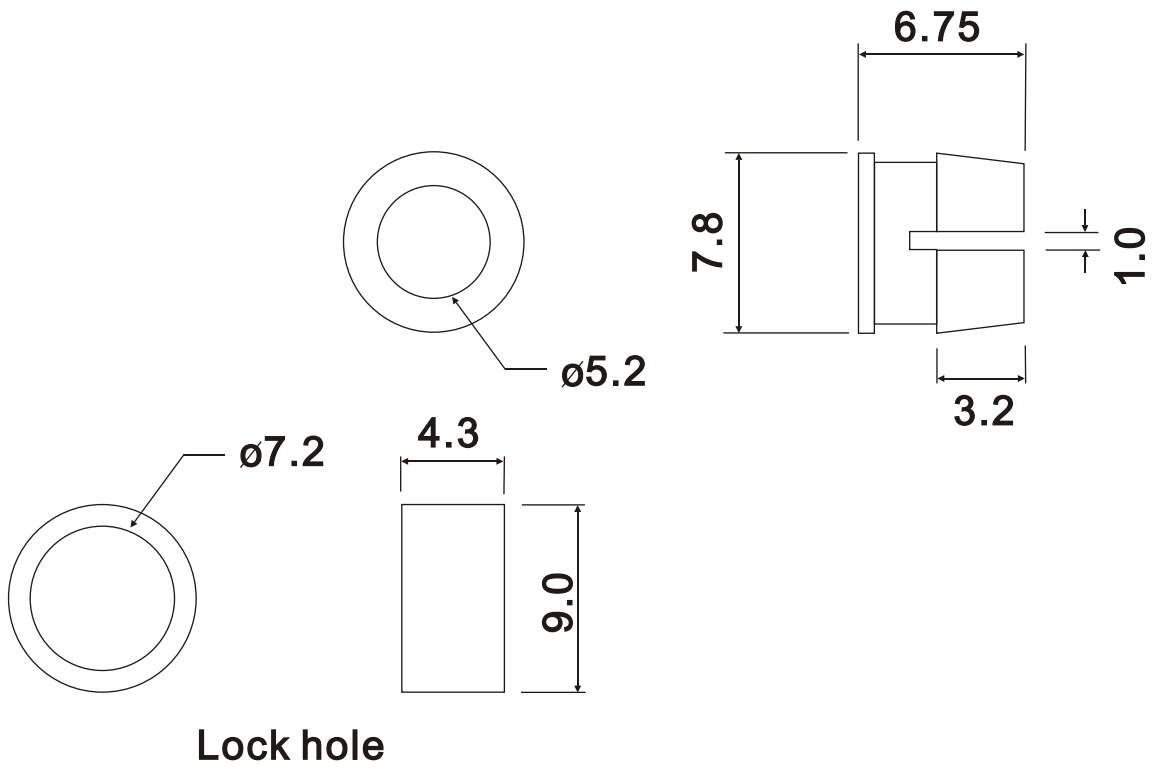


HOLDER PRODUCTS

PACKAGE DIMENSIONS:



NOTE:

- 1.All dimensions are in millimeter.
- 2.specifications are subject to change without notice.
- 3.Tolerance is 0.5mm unless otherwise noted.
- 4.Ingredient is nylon

HUEY JANN ELECTRONICS INDUSTRY CO., LTD.

DEVICE NO: H10

DWG NO:03123103

REV: B

DATE:2005/5/9

DWN: C.Y.Lin

CHK: Dundee

This drawing contains proprietary information and is not to be used or reproduced without permission of HUEY-JANN.

HUEY JANN ELECTRONICS INDUSTRY CO., LTD.